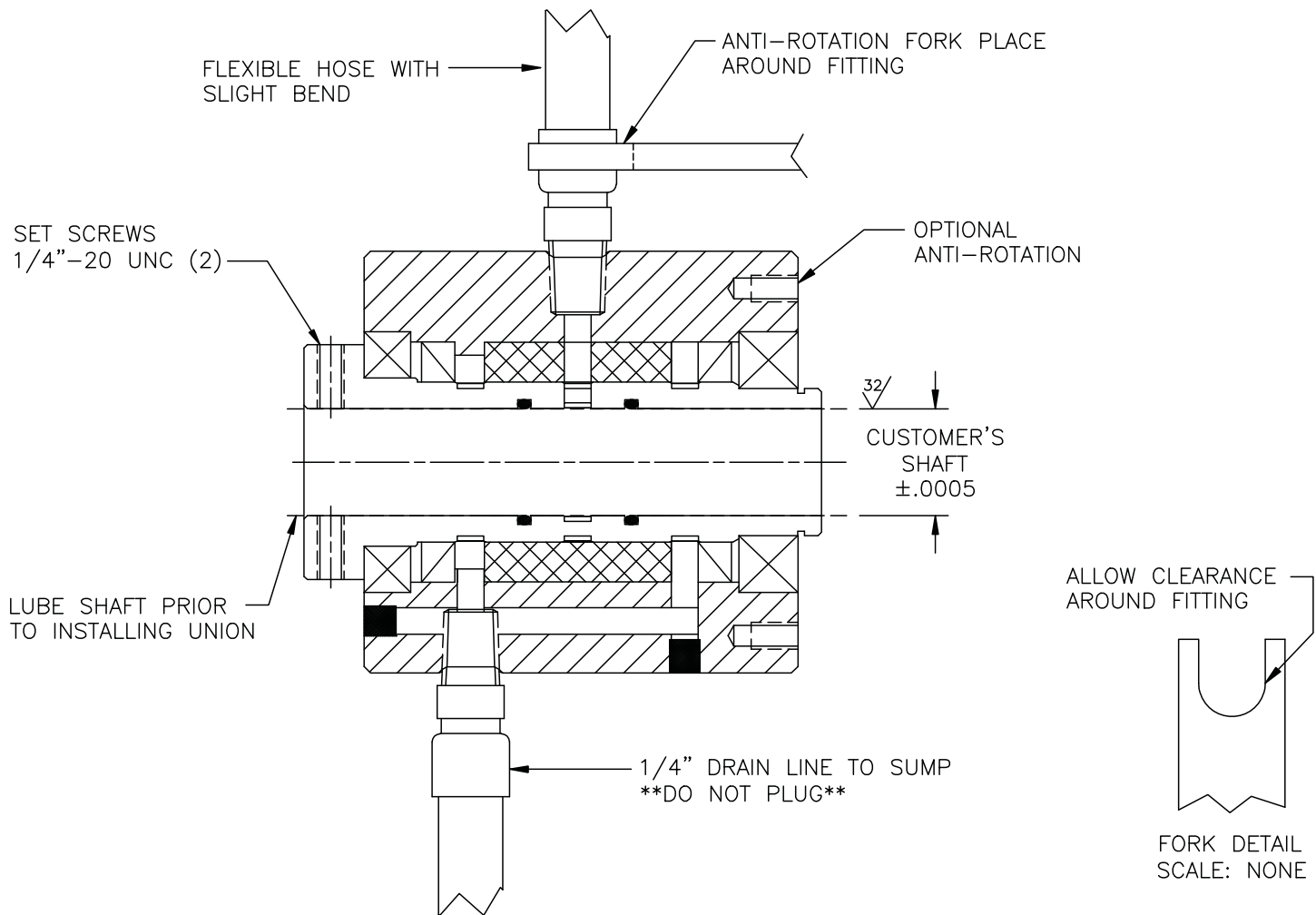


INSTALLATION GUIDE - SERIES 032



PROPER USE AND MOUNTING INSTRUCTIONS

1. Connect all fittings and drain line to housing prior to installation.
 - Do not use rigid piping as this will compromise the life of the union.
 - The hose should be flexible and have a slight bend.
 - Extreme bends can reduce the flexibility of the hose.
 - The rubber hose selected should be able to safely handle the working pressure.
 - The hose should be properly supported & should not side load the union.
2. Position the drain line @ the 6:00 position.
3. Attach your preferred method of anti-rotation. Anti-rotation must allow the union to find its center. Do not hard mount both the rotor and housing of the union.
 - An anti-rotation fork placed around one of the housing fittings
 - An anti-rotation bracket mounted to the rear of the housing
4. Make sure shaft is free of burrs and nicks.
5. Lube o-rings and customer's shaft with grease prior to installation
6. Once properly position on shaft, tighten set screws.



ROTARY
SYSTEMS INC